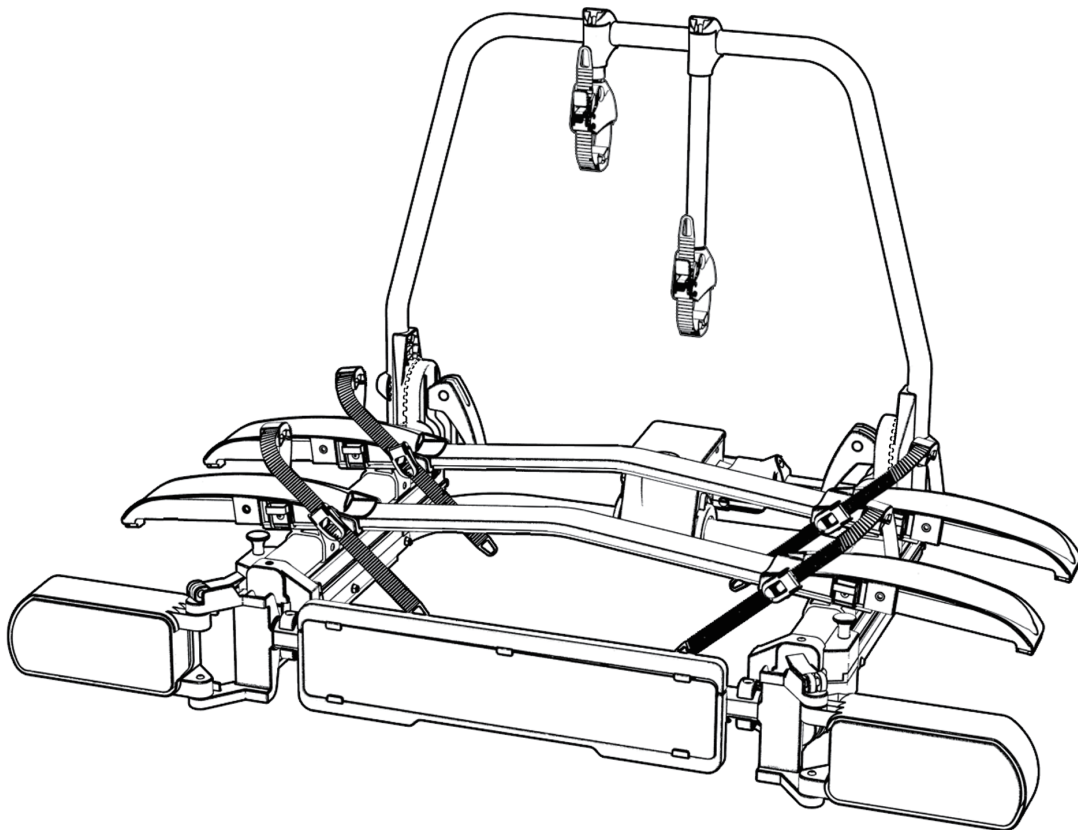


# USER MANUAL



ENDURO SD260  
91684

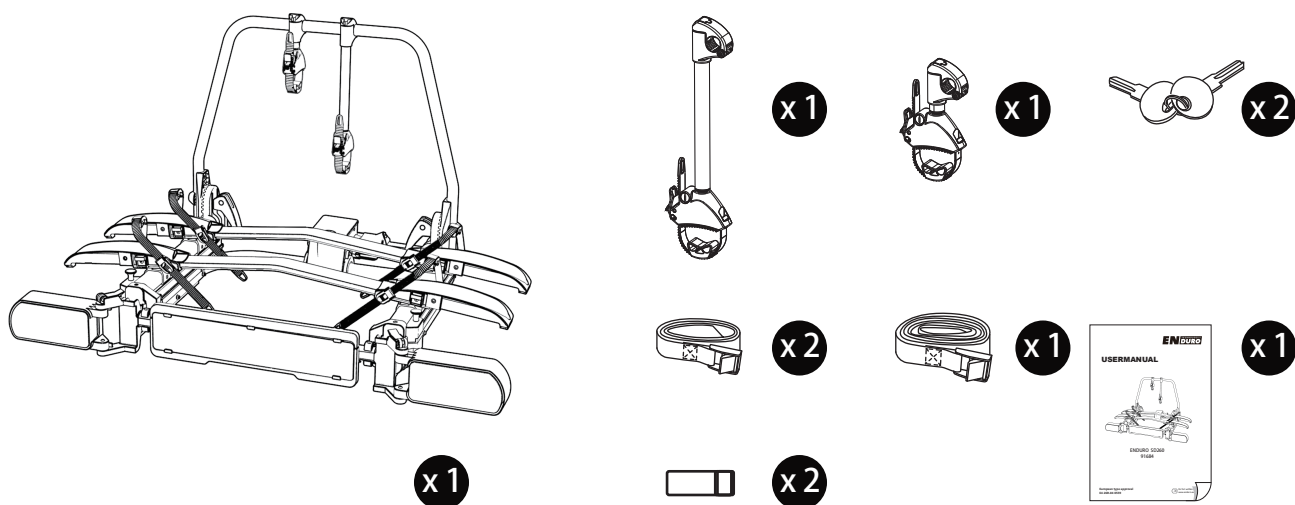


for full written manual  
scan QR-code or visit  
[www.enduro-europe.eu](http://www.enduro-europe.eu)

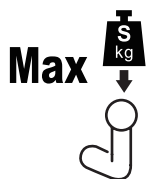


European type approval  
E4 26R-04 0559







# Scope of delivery

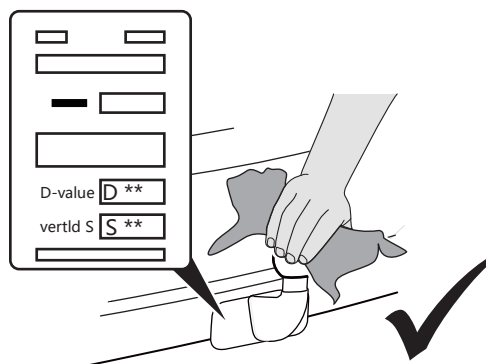



**i**





 20.5kg	40 kg	Max 19.5 kg
	50 kg	Max 29.5 kg
	60 kg	Max 39.5 kg
	75 kg	Max 54.5 kg
	90 kg	Max 60 kg 
	120 kg	Max 60 kg 

	    
Material:	min. steel St52 or grey cast iron GG52
D-value:	>7,6 kN
Tow ball:	ø50mm (class A-50 according EC 94/20 or ECE R55)



 Max. frame diameter : 110 mm

 Max. wheel base : 1300 mm

 Max. tire width : 80 mm



Max. 30kg per bike



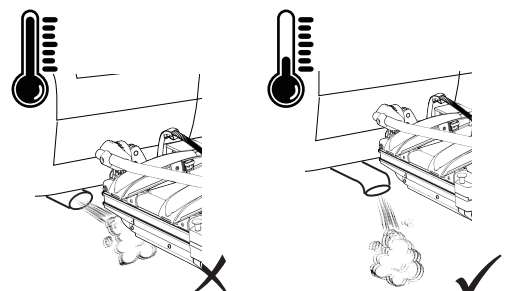
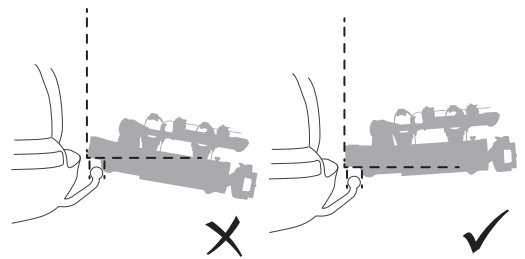
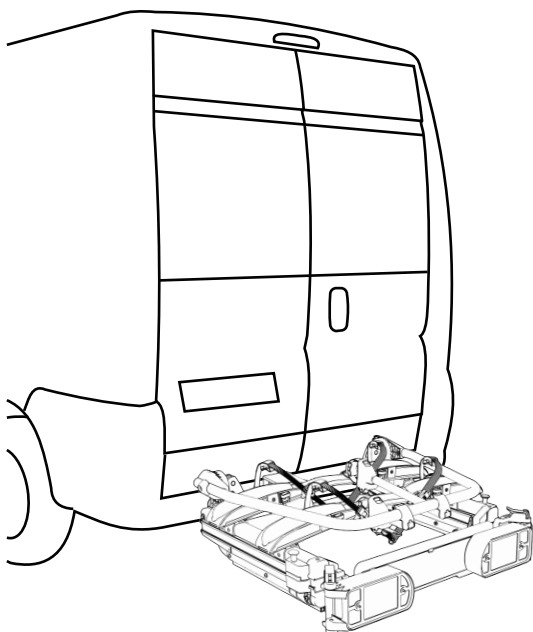
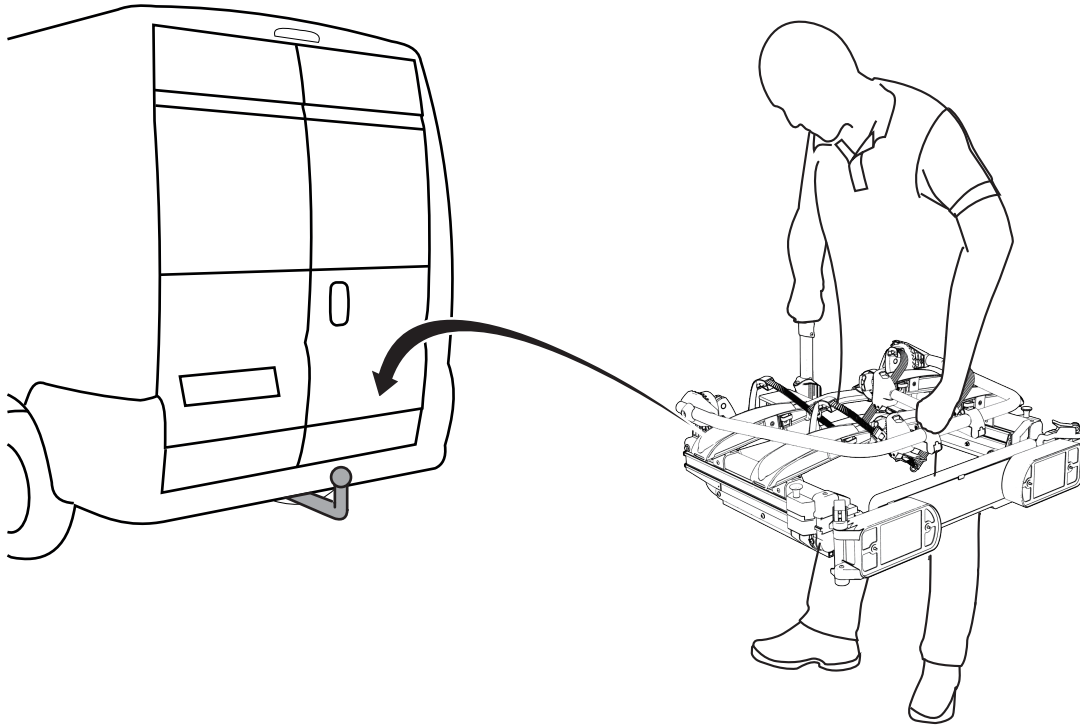
Product weight



Max. load

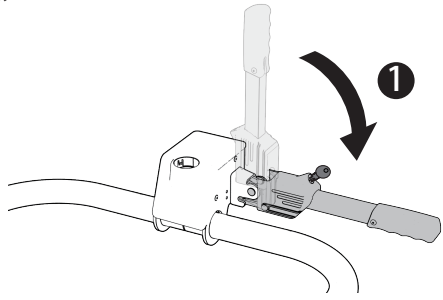


Max. speed

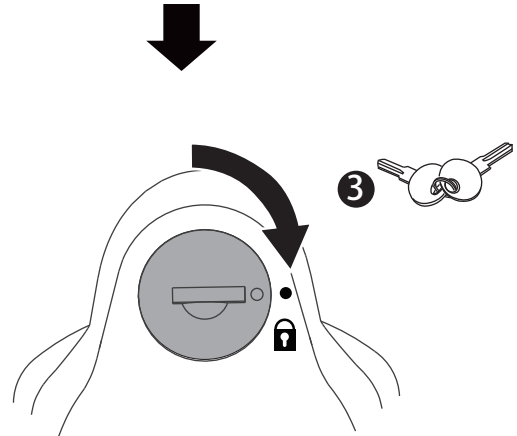
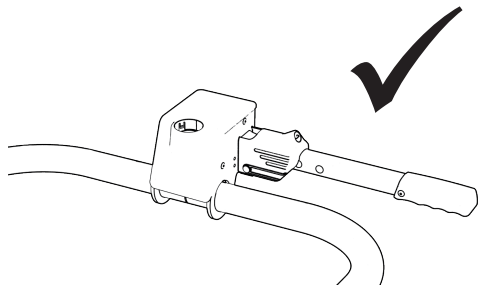
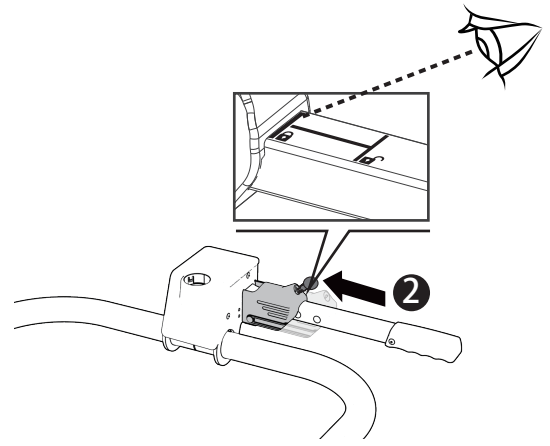




Max.40kg\*

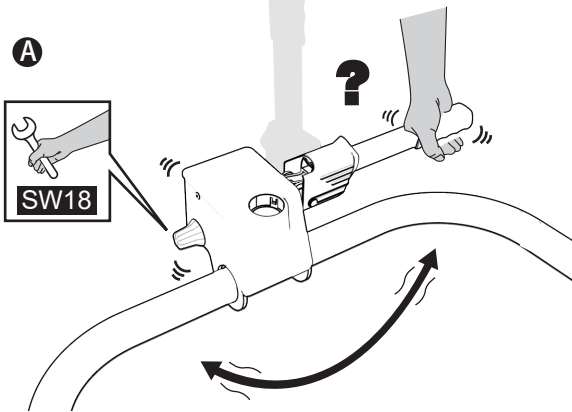


ok

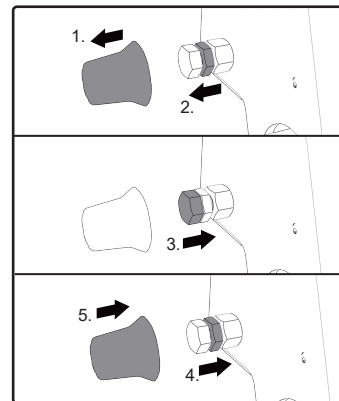


\*<40kg

A

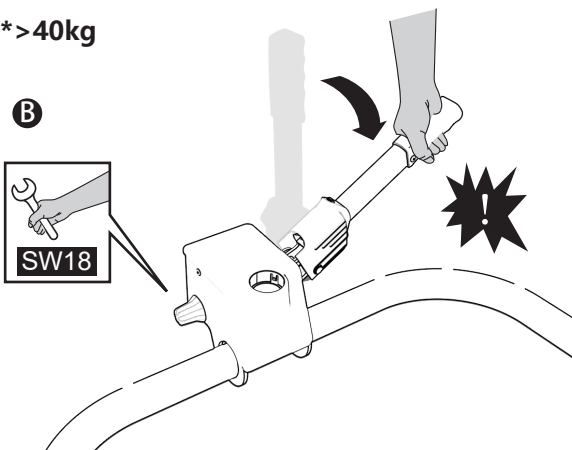


Not ok

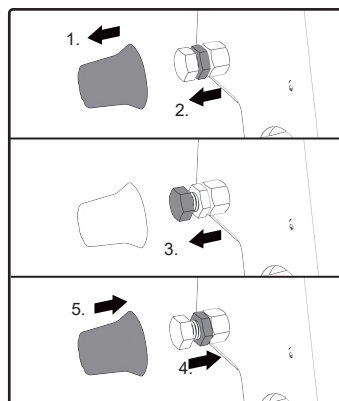


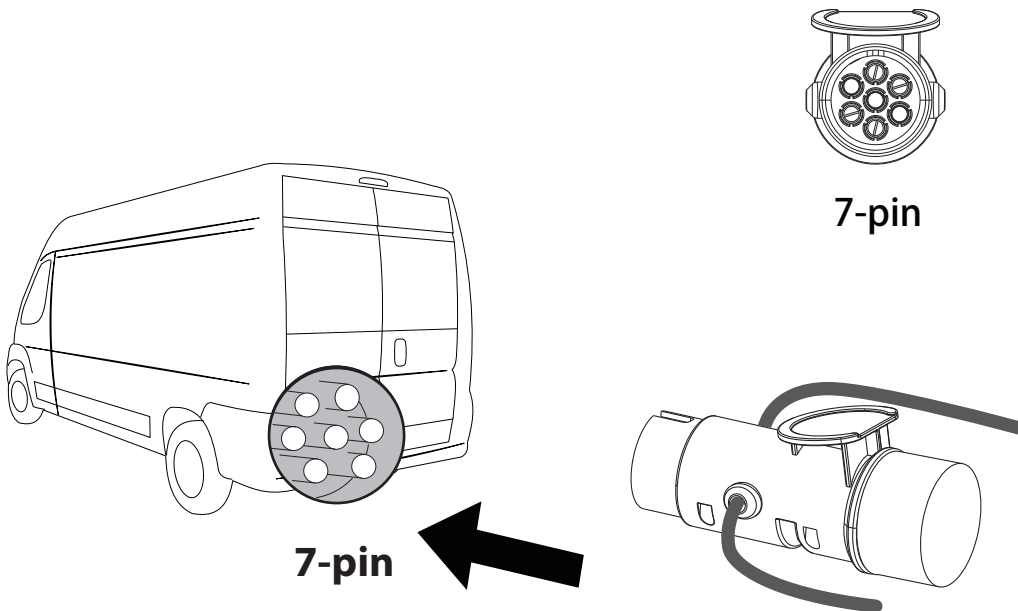
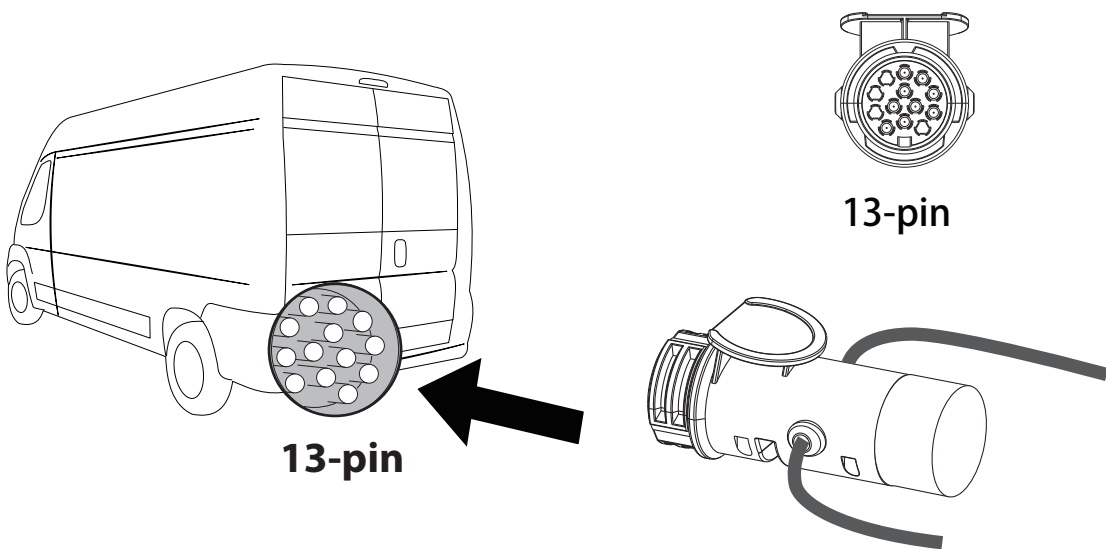
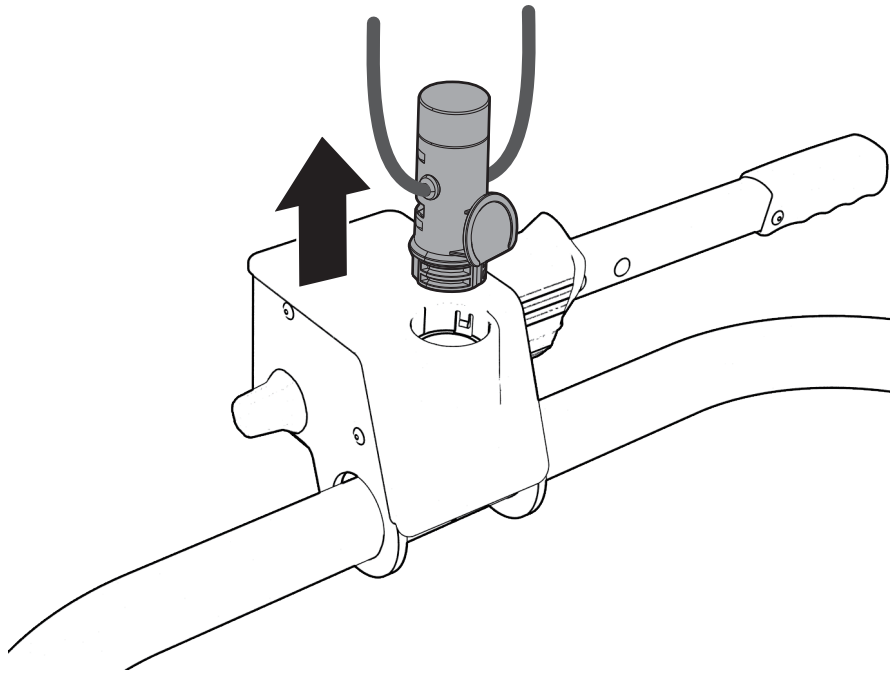
\*>40kg

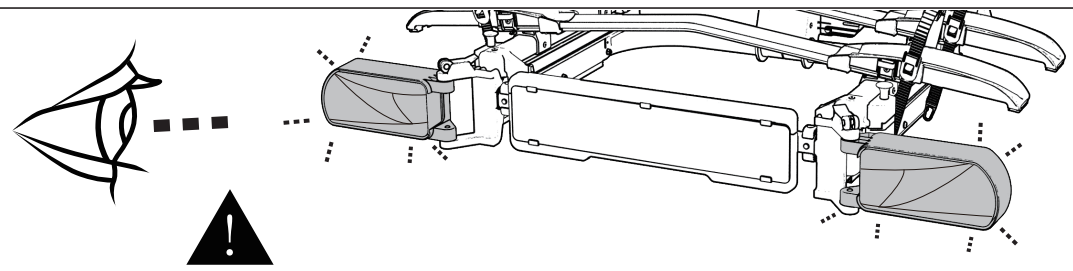
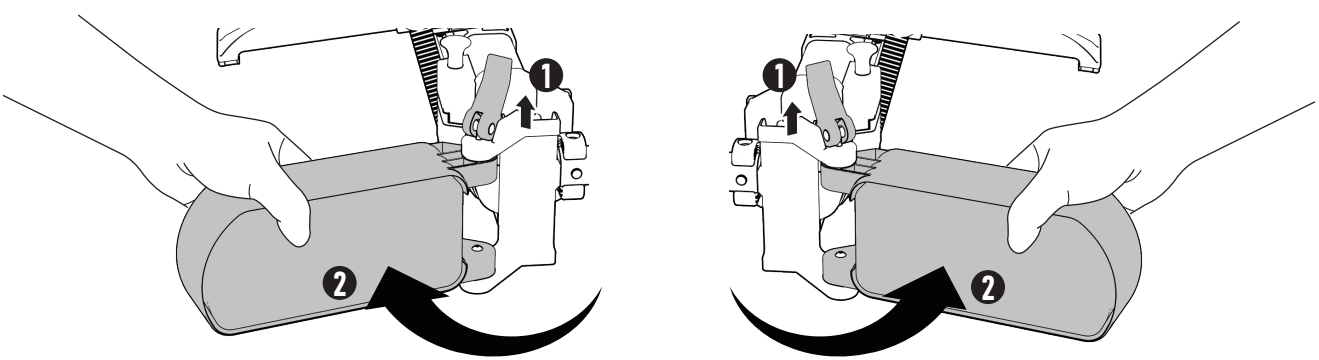
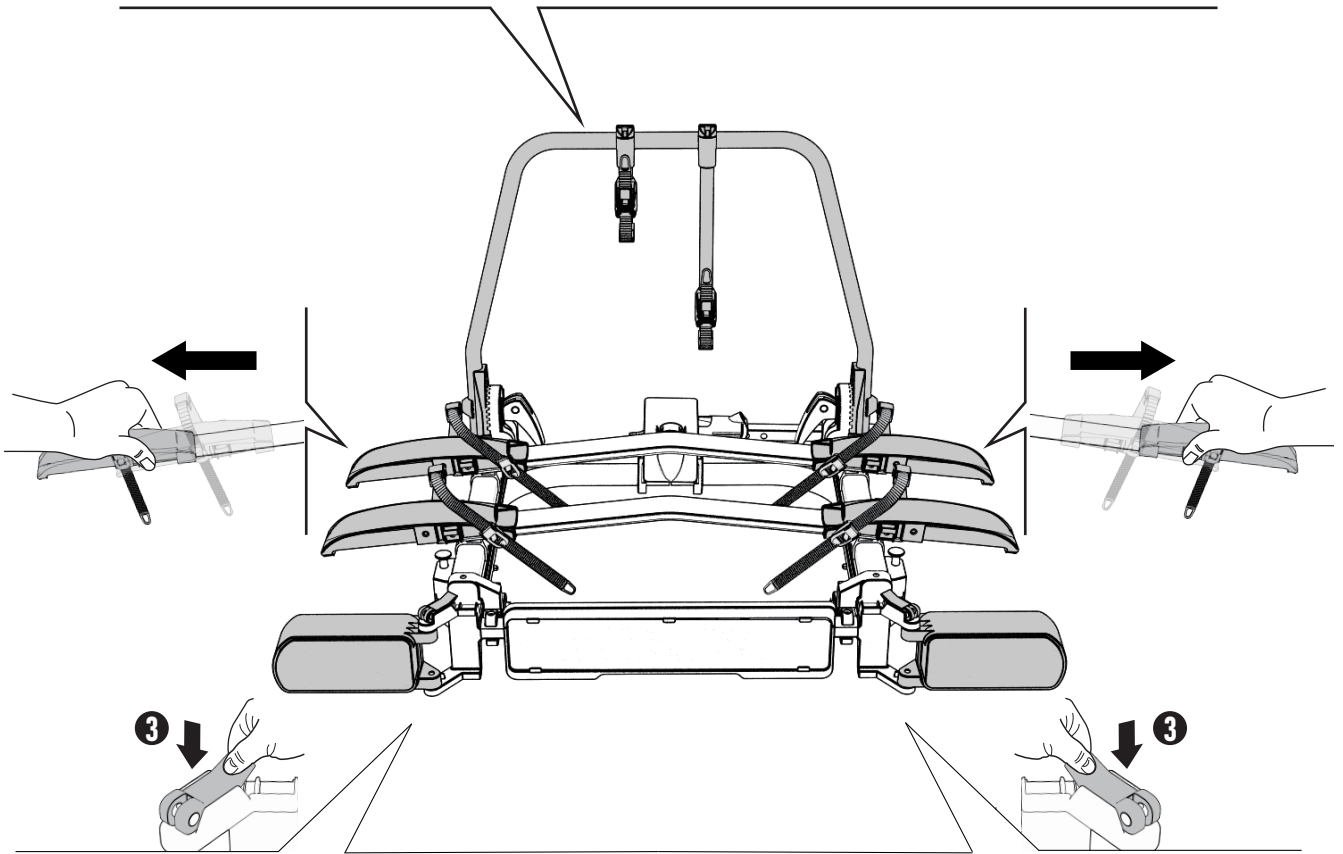
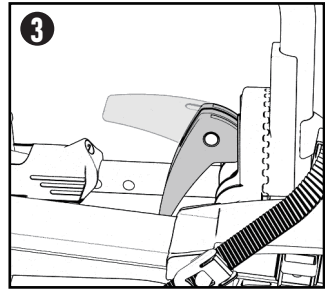
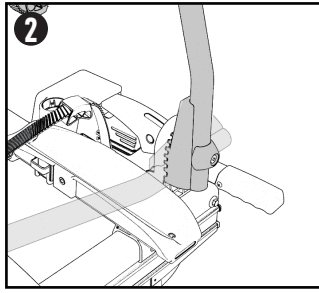
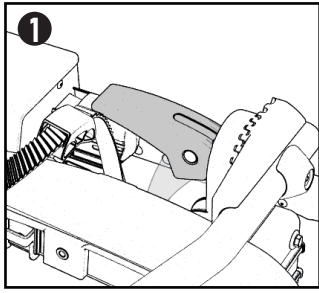
B

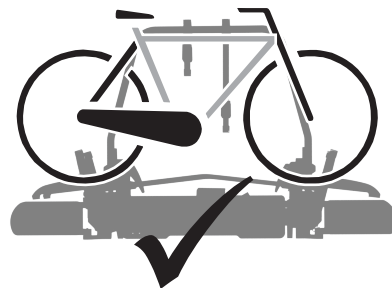
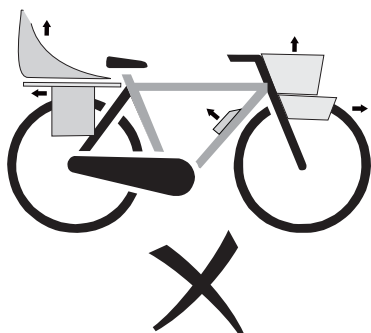
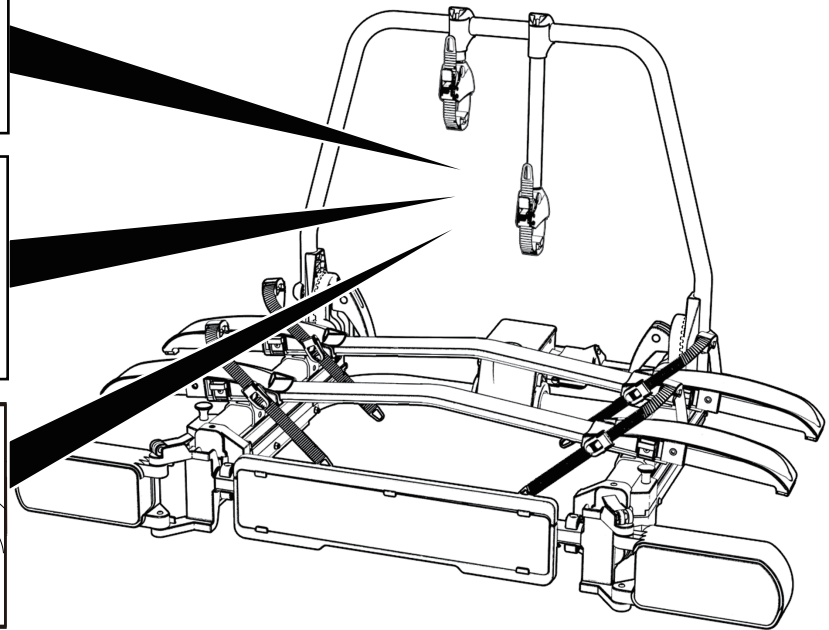
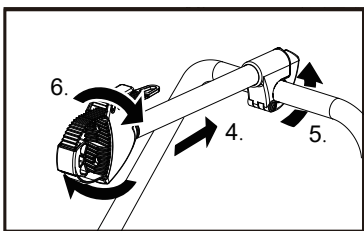
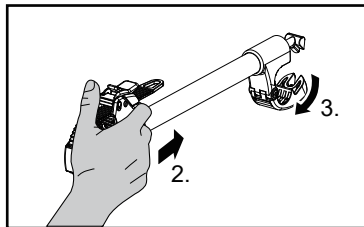
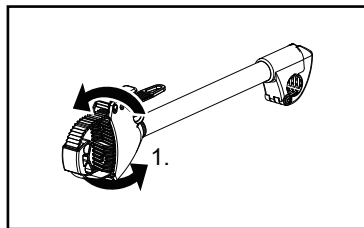
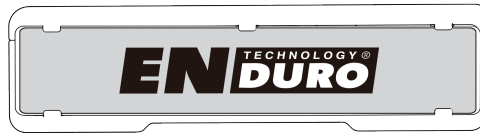
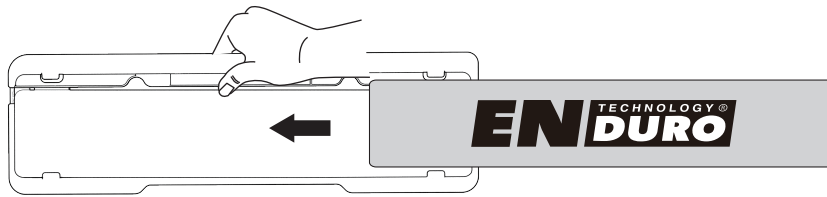
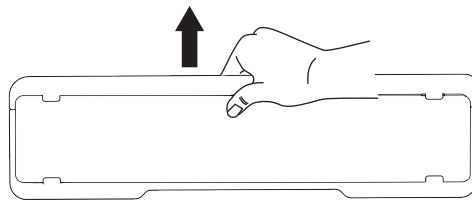


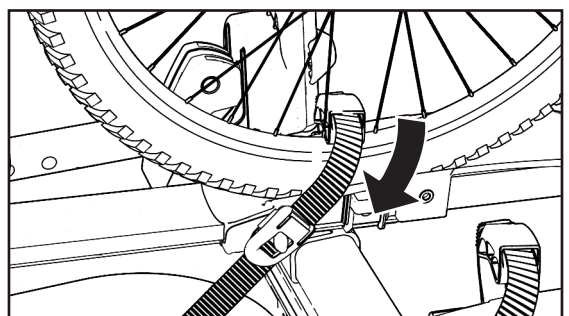
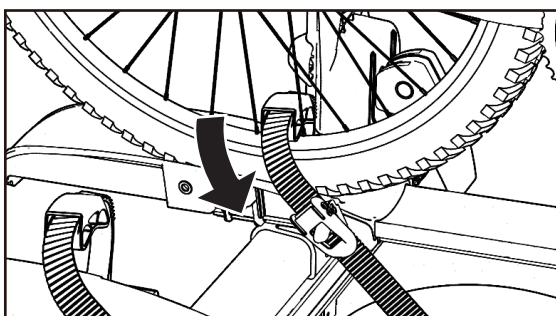
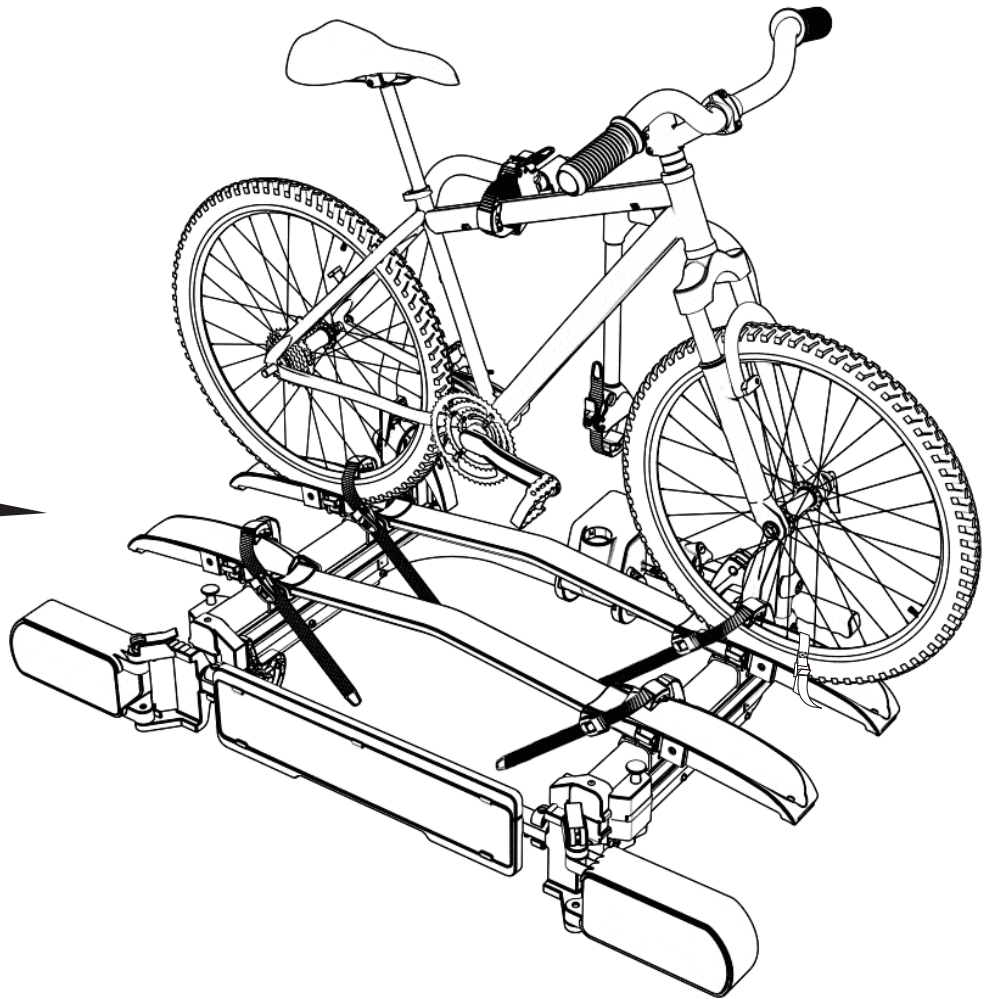
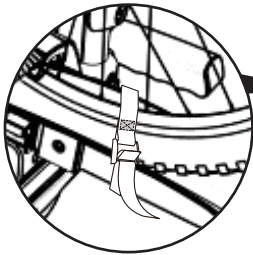
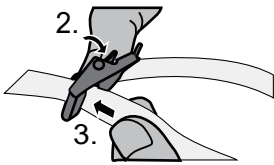
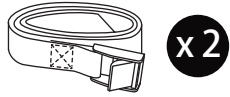
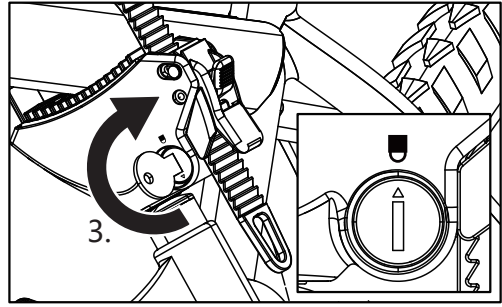
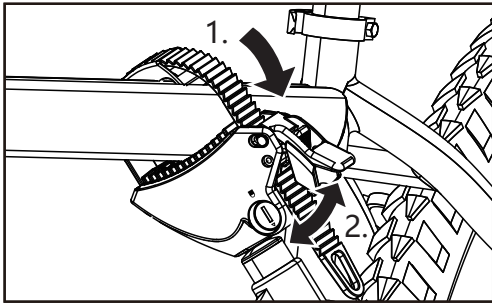
Not ok



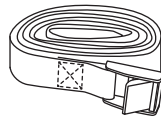
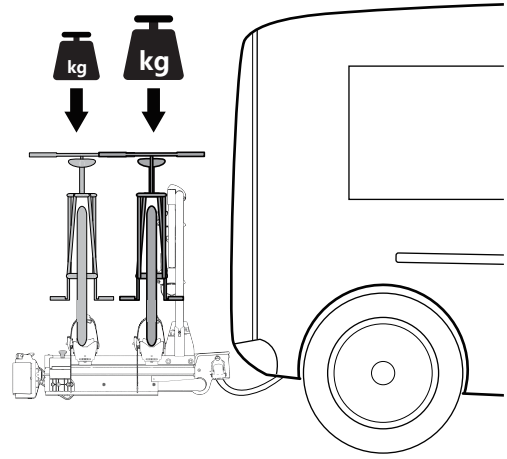




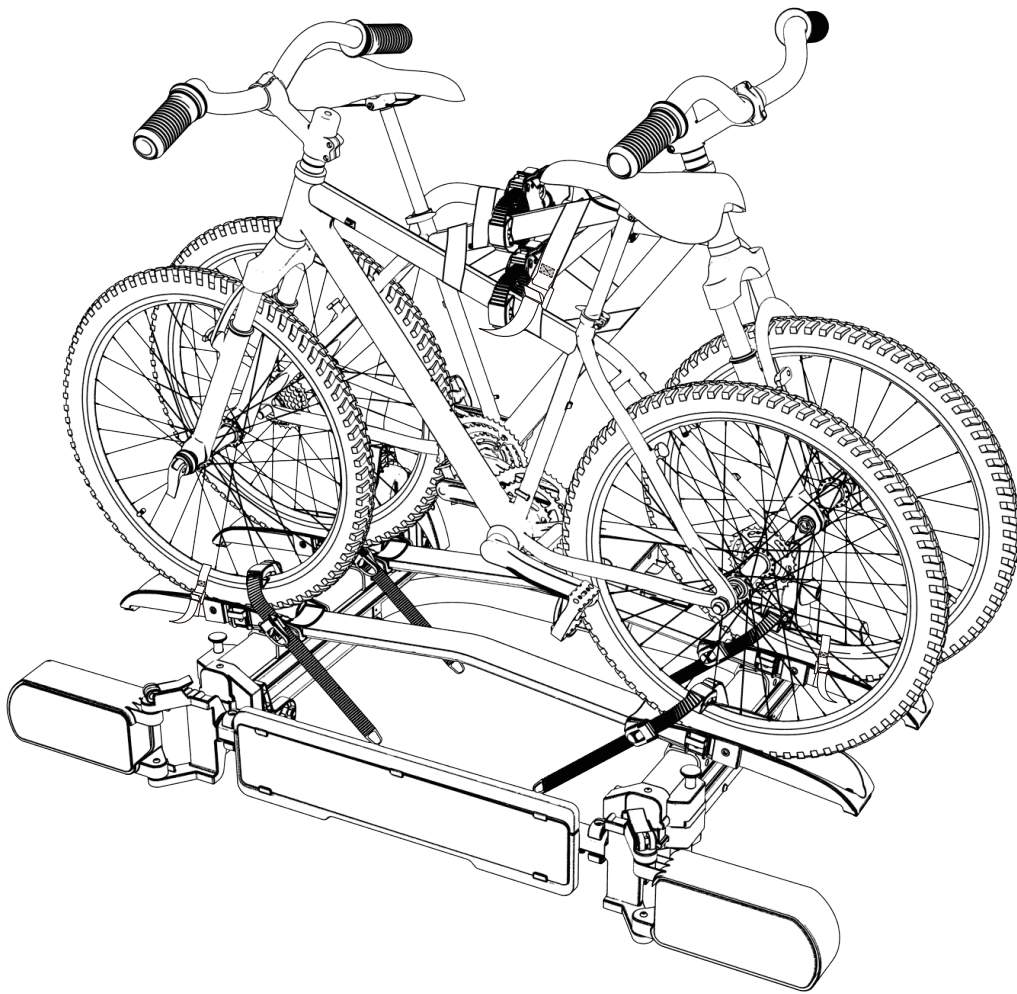




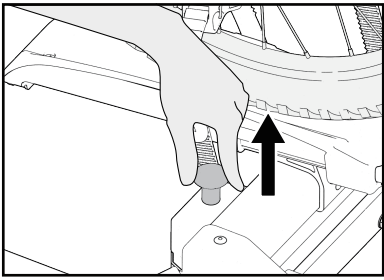




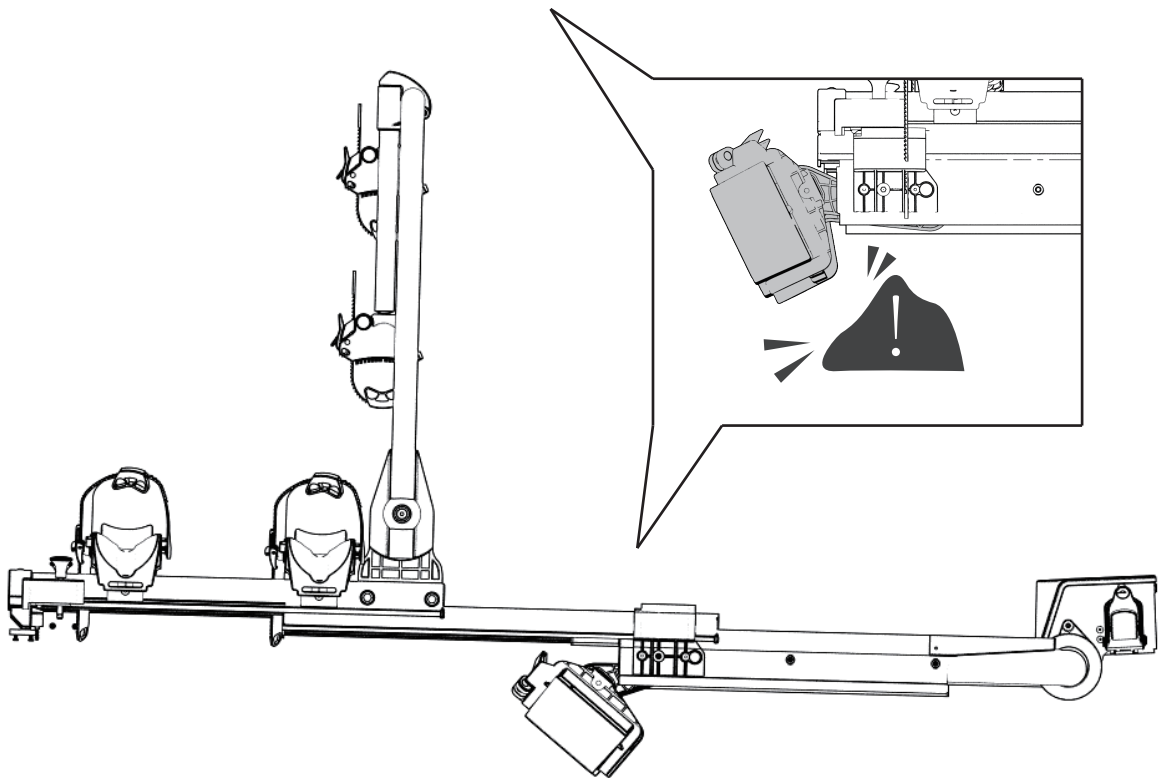
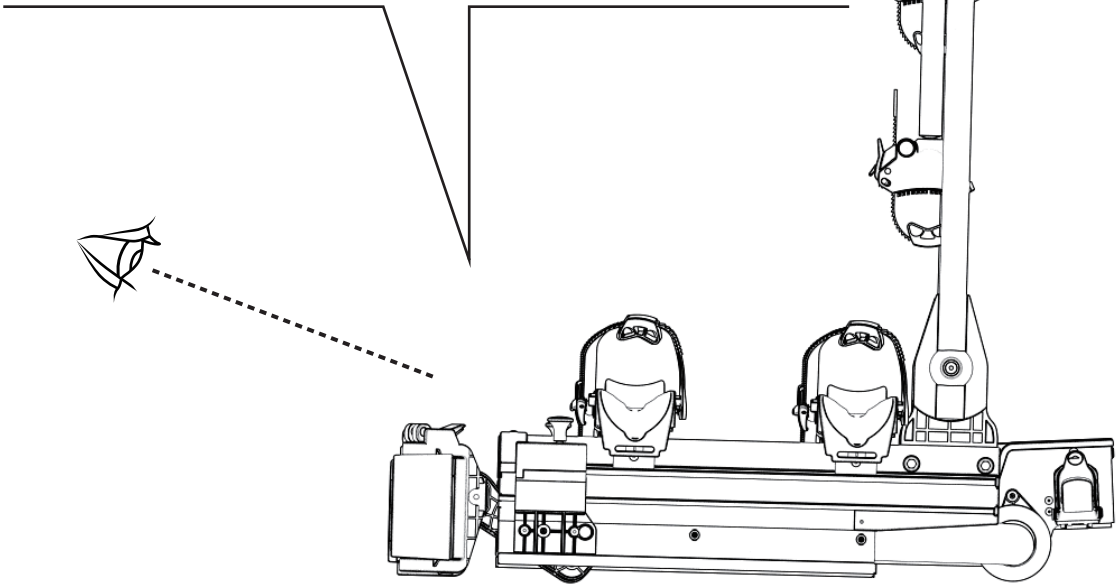
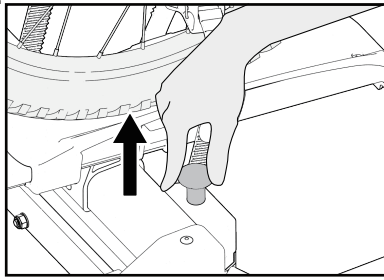
x 1

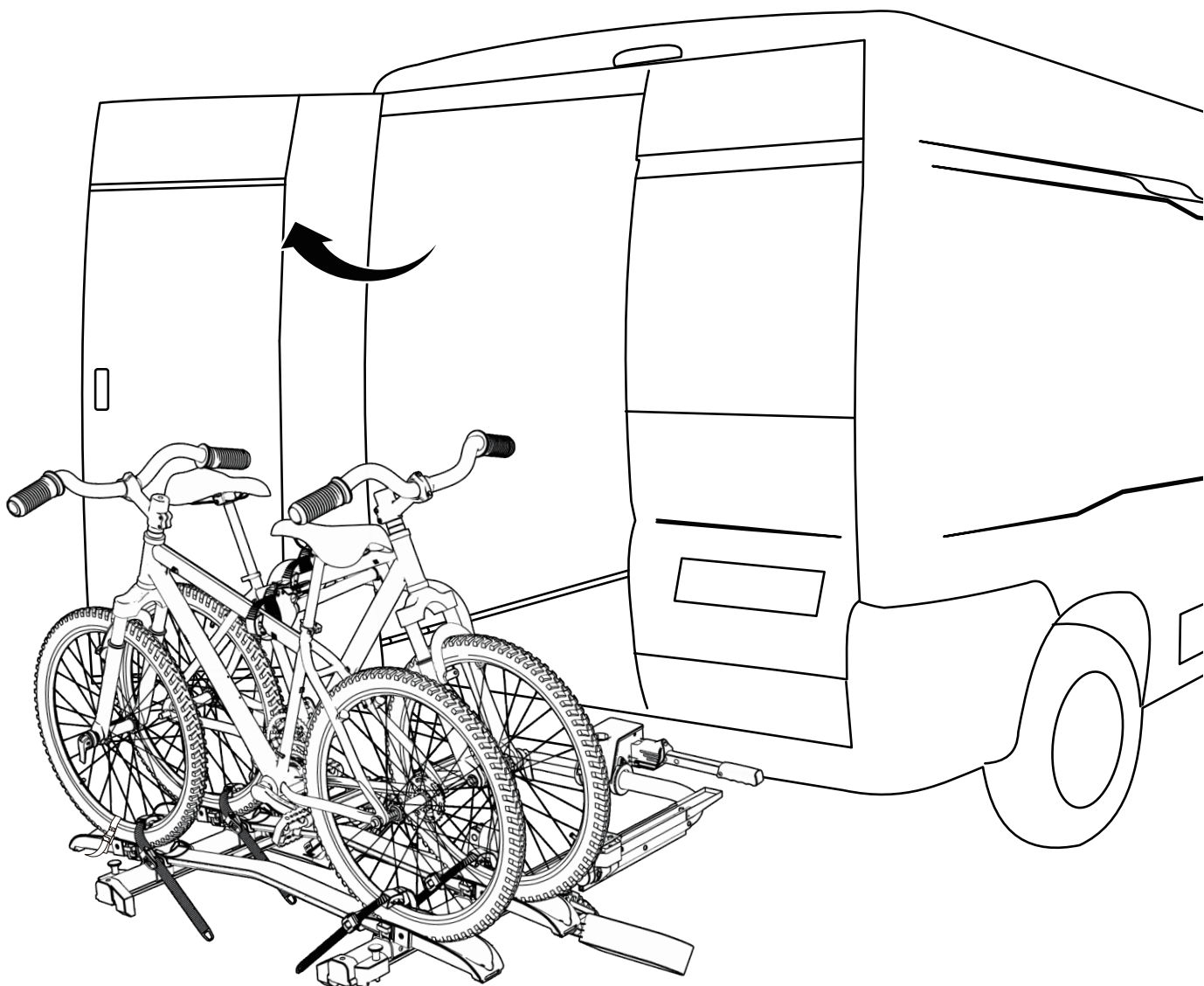
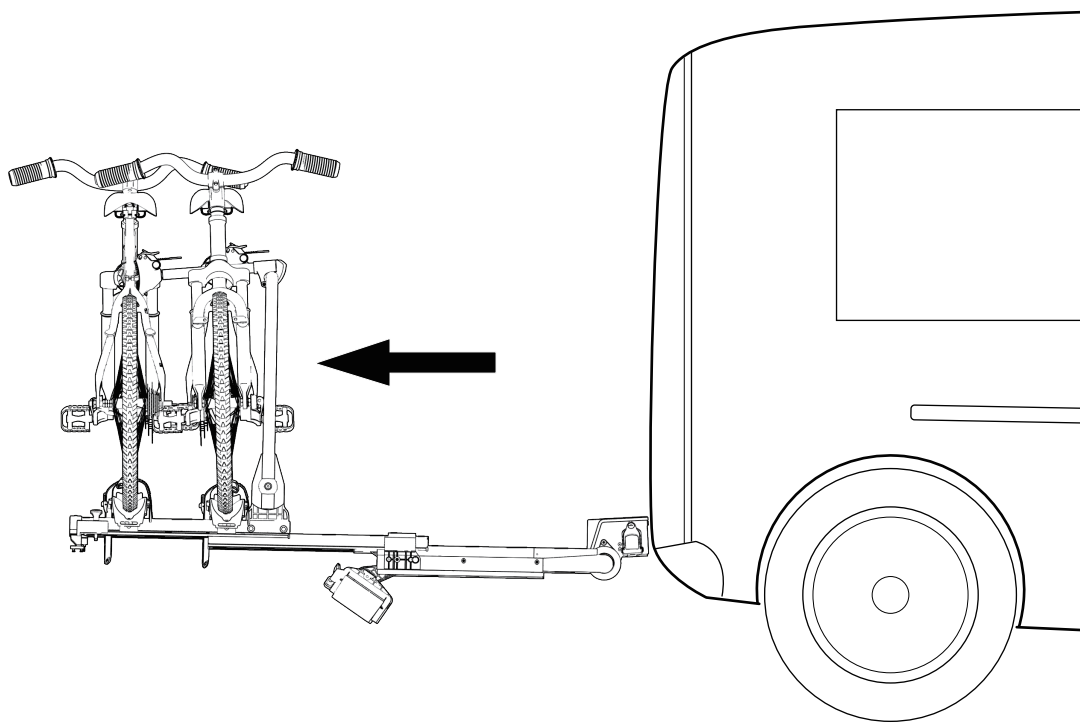


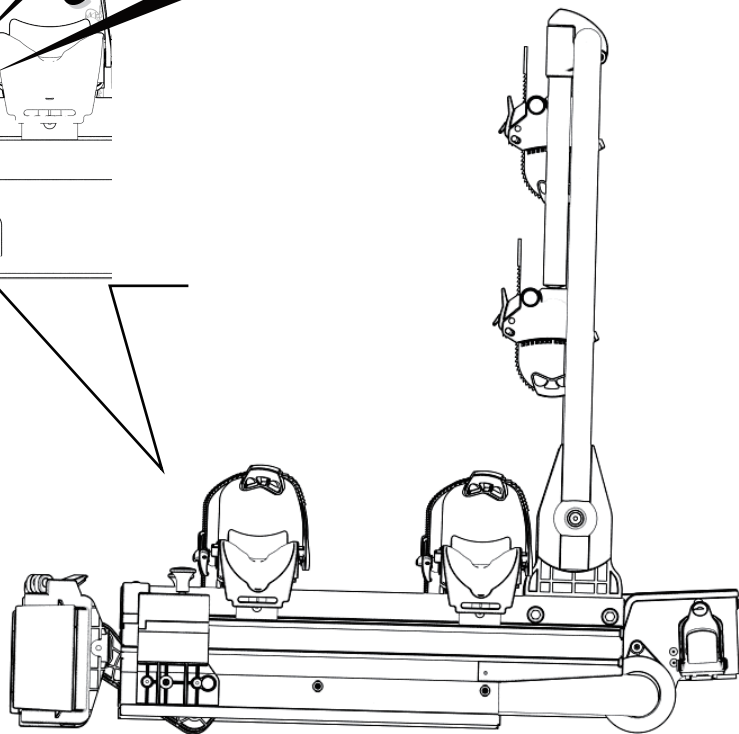
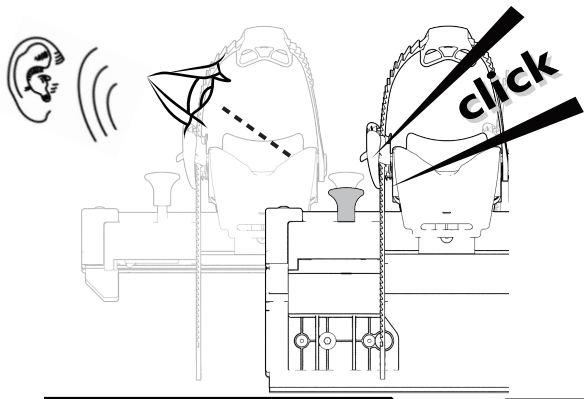
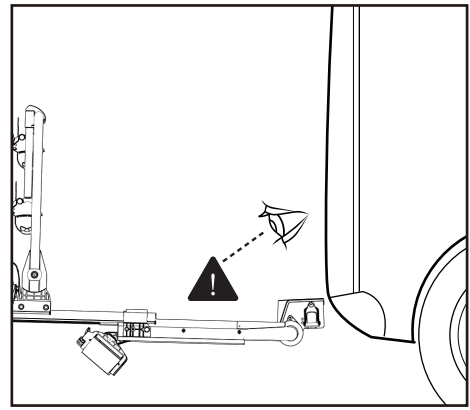
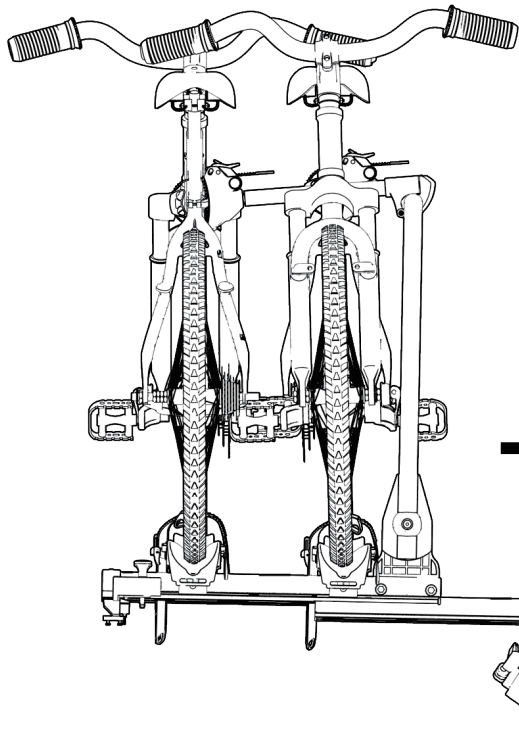
1.

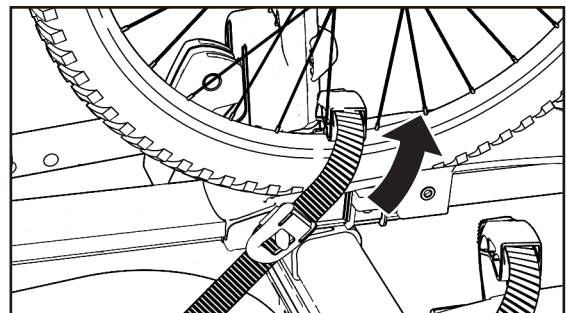
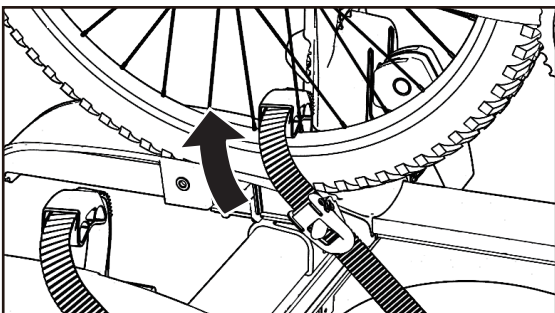
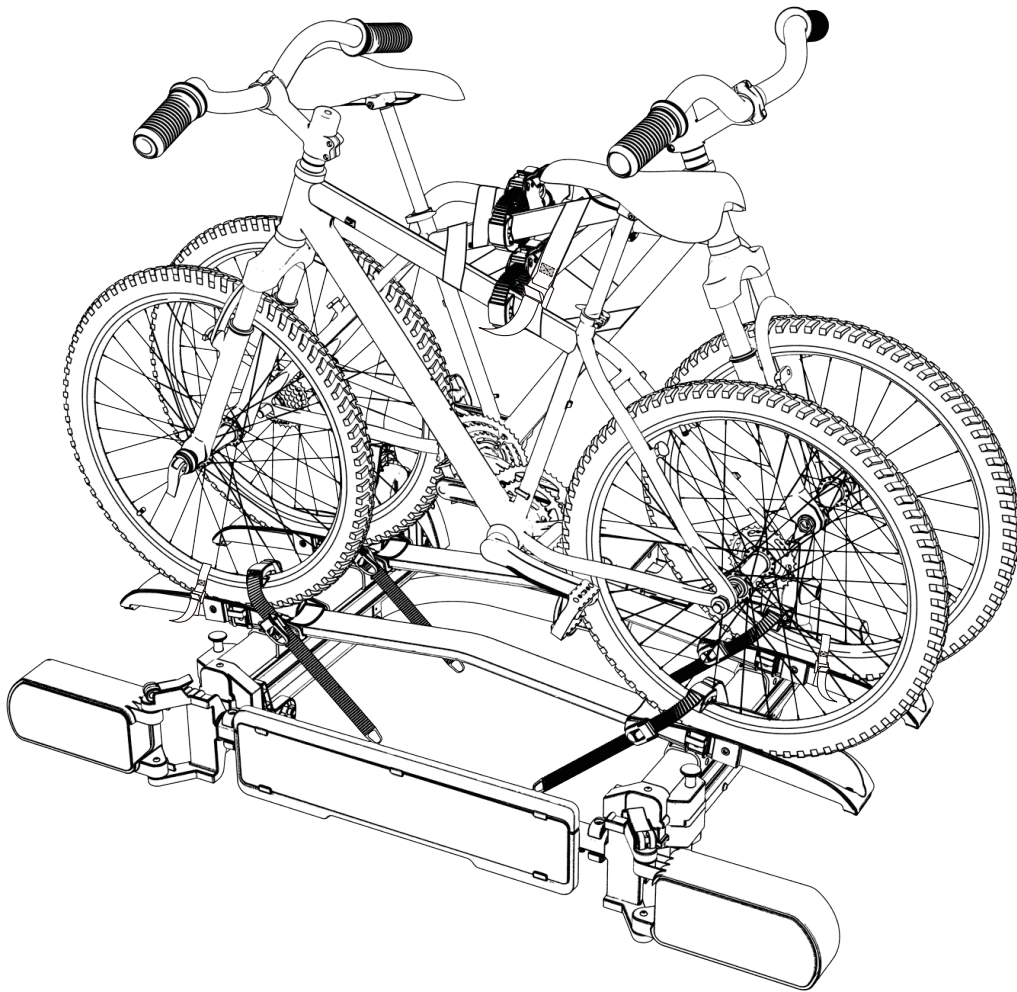
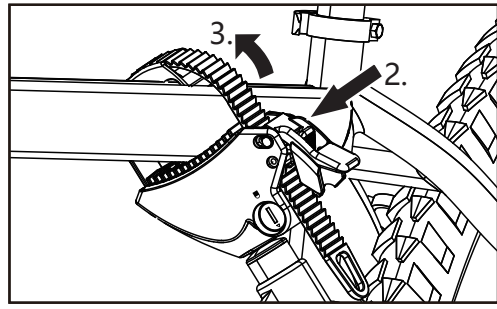
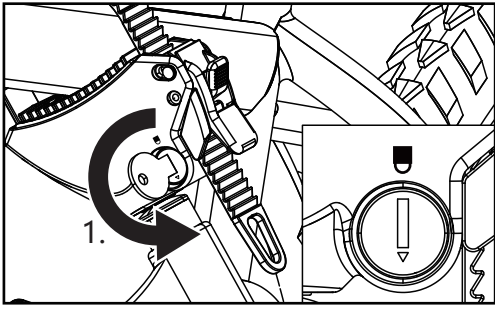


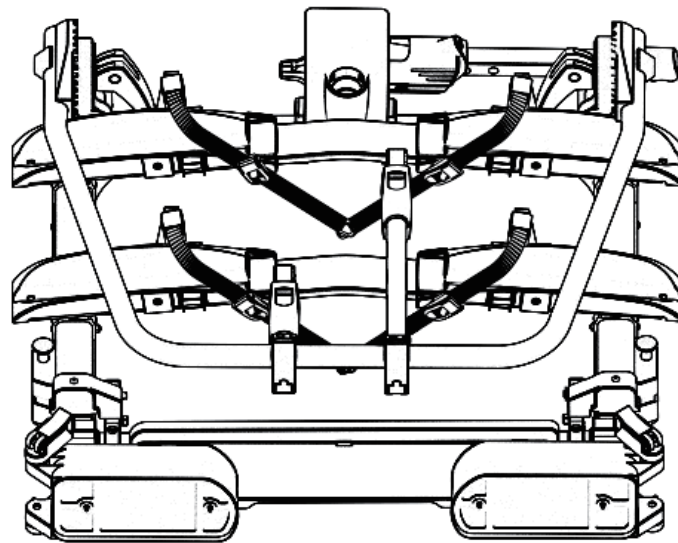
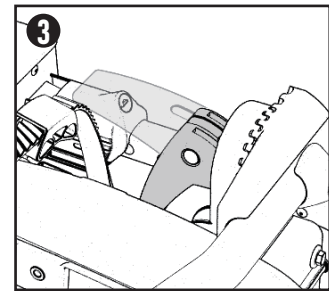
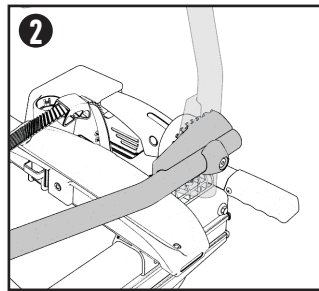
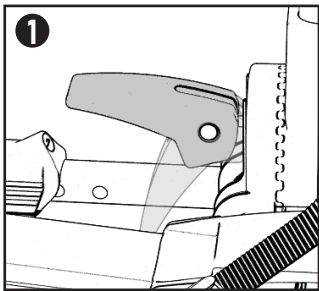
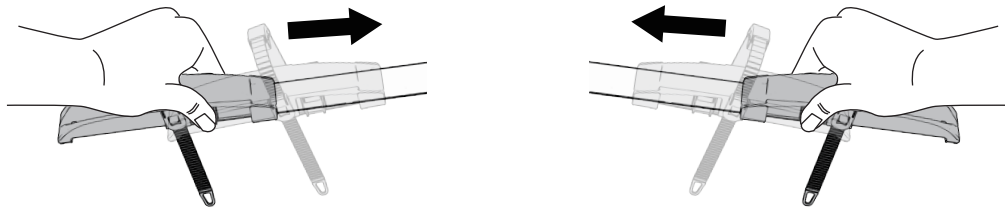
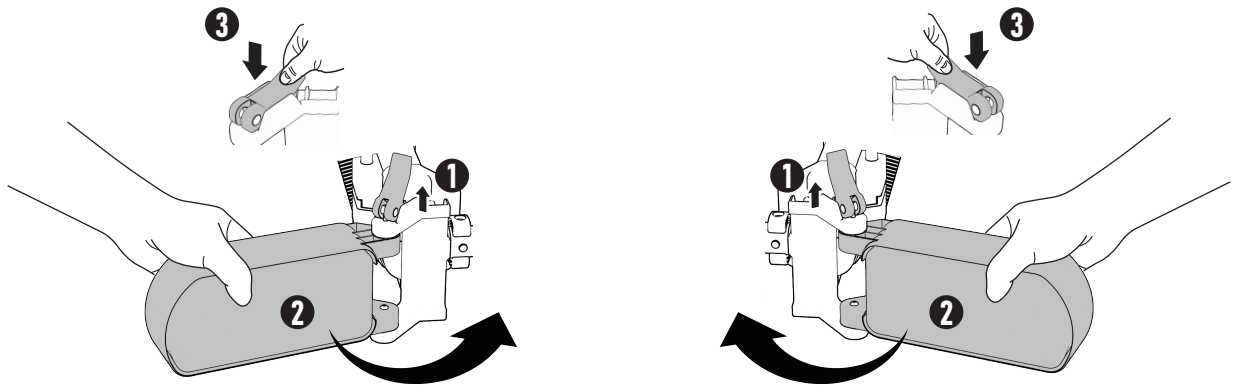
2.

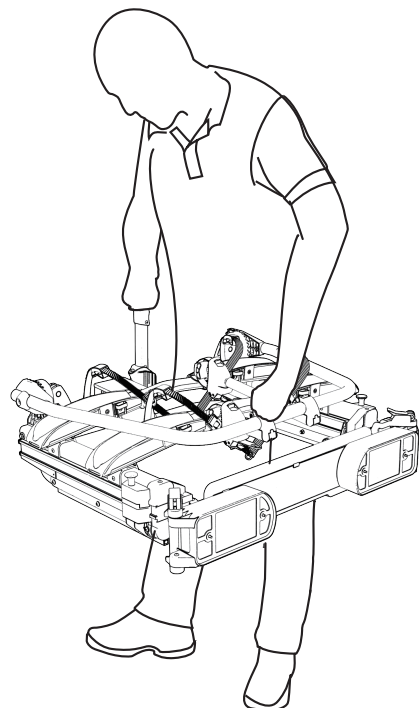
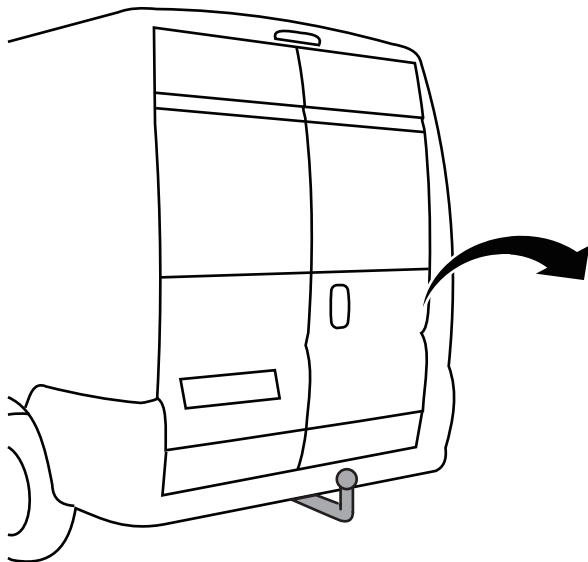
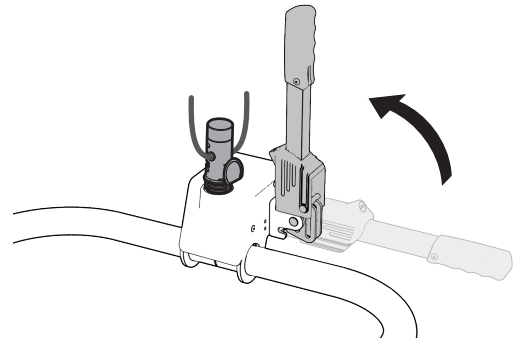
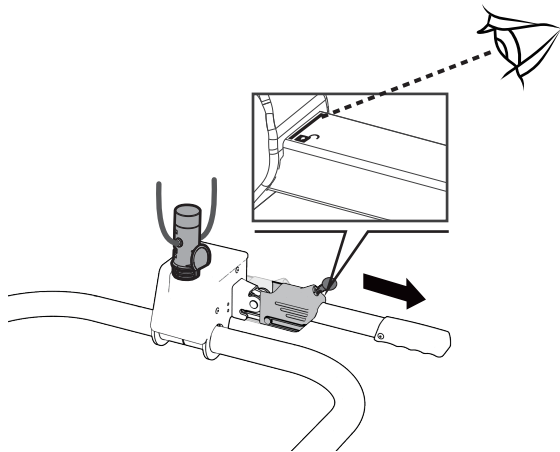
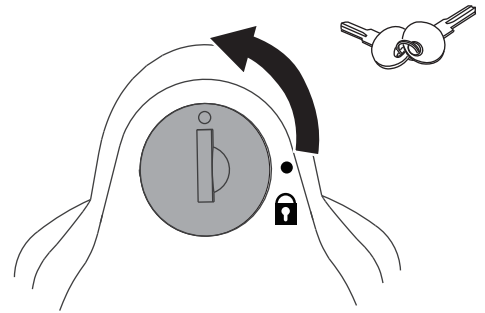
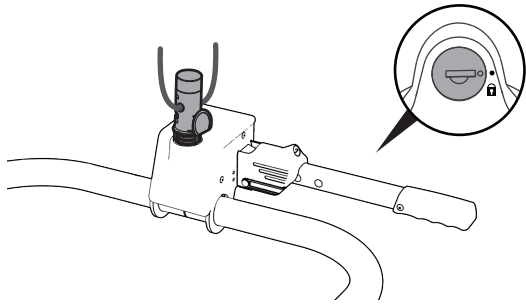
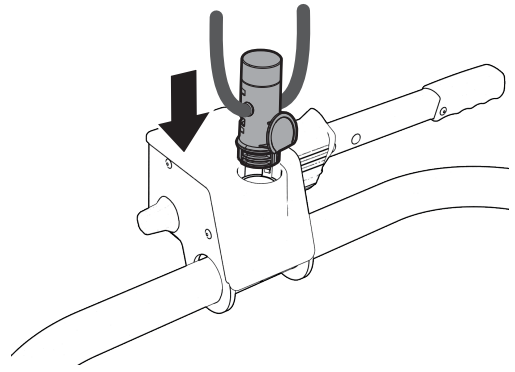
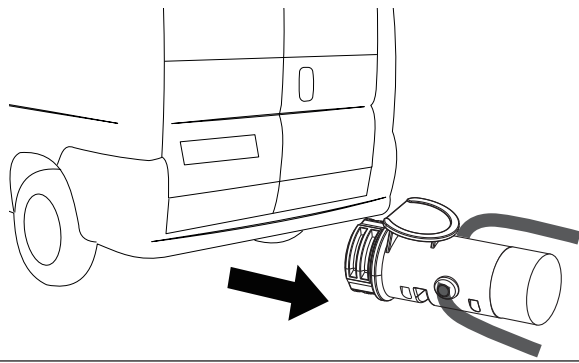












## CONTACT

### Tradekar Benelux BV

Ohmweg 1  
4104 BM CULEMBORG  
Nederland  
Tel: +31 (0)345 470990

[info@enduro-europe.eu](mailto:info@enduro-europe.eu)  
[www.enduro-europe.eu](http://www.enduro-europe.eu)

 Enduro Technology  Enduro Technology

© Tradekar 91584/24A

**EN** TECHNOLOGY®  
**DURO**

Enduro is part of Tradekar House of Leisure Brands

